



UM607

LINEAR INTEGRATED CIRCUIT

CC, CV CONTROL FOR BATTERY CHARGER AND ADAPTOR

DESCRIPTION

The UTC **UM607** is a voltage and current control IC which has precision voltage reference. These devices have been optimized for battery charger, adapter, second controller of switching regulator systems, and other battery systems.

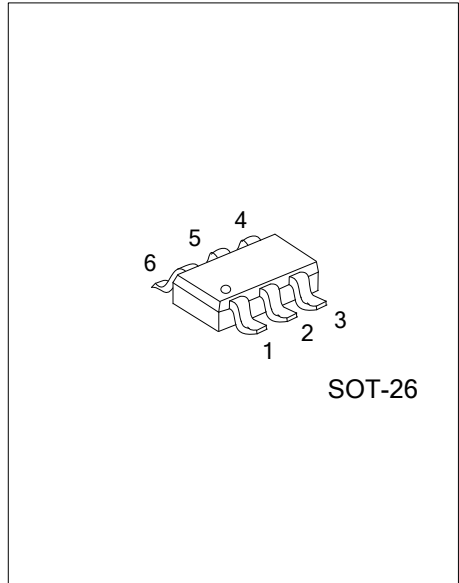
FEATURES

- * Constant Voltage Control (CV) and Constant Current Control (CC)
- * Input voltage ranging from 2.2V to 14V
- * 40mA photo coupler drive current typically
- * 1mA maximum operating current
- * Internal Precision Voltage Reference : 1.240V \pm 1%
- * Easy compensation and low external component count.

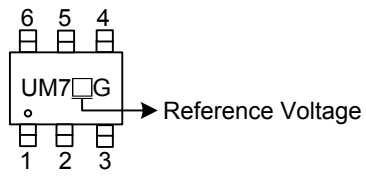
ORDERING INFORMATION

Ordering Number		Package	Packing
Lead Free	Halogen Free		
UM607xL-AG6-R	UM607xG-AG6-R	SOT-26	Tape Reel

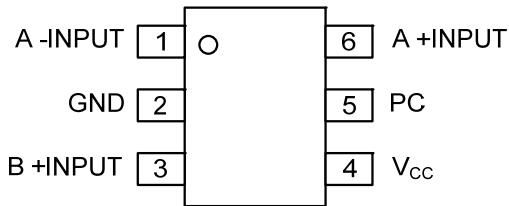
<p>UM607xL-AG6-R</p> <p>(1) Packing Type (2) Package Type (3) Lead Free (4) Reference Voltage</p>	<p>(1) R: Tape Reel (2) AG6: SOT-26 (3) G: Halogen Free, L: Lead Free (4) refer to Marking Information</p>
---	--



MARKING INFORMATION

PACKAGE	A-CH REFERENCE VOLTAGE	CODE	MARKING
SOT-26	150mV	B	
	70mV	D	

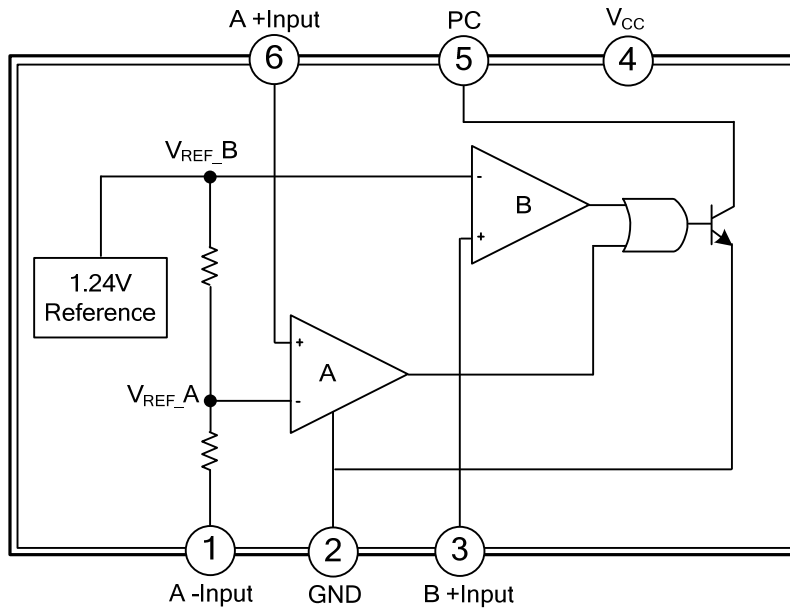
PIN CONFIGURATION



PIN DESCRIPTION

PIN NO.	PIN NAME	DESCRIPTION
1	A-INPUT	Input Pin of the Current Control Loop
2	GND	Ground Line. 0V Reference For All Voltages
3	B+INPUT	Input Pin of the Voltage Control Loop
4	V _{CC}	DC Supply Line
5	PC	Photo Coupler (P/C) Drive Pin. Sinking Current Only
6	A+INPUT	Input Pin of the Current Control Loop

■ BLOCK DIAGRAM



■ ABSOLUTE MAXIMUM RATING (Ta=25°C, unless otherwise specified)

PARAMETER	SYMBOL	RATINGS	UNIT
DC Supply Voltage	V _{CC}	16	V
Power Dissipation (Note 2)	P _D	500	mW
Operating Temperature	T _{OPR}	-40 ~ +85	°C
Storage Temperature	T _{STG}	-55 ~ +150	°C

Notes: 1. Absolute maximum ratings are those values beyond which the device could be permanently damaged. Absolute maximum ratings are stress ratings only and functional device operation is not implied.
 2. Mount on a glass epoxy circuit board of 30x30mm Pad dimension of 50mm²

■ RECOMMENDED OPERATING CONDITIONS

PARAMETER	SYMBOL	RATINGS	UNIT
DC Supply Voltage	V _{CC}	2.2 ~ 14	V

■ ELECTRICAL CHARACTERISTICS (V_{CC} = 5V, Ta=25°C, unless otherwise specified)

PARAMETER	SYMBOL	TEST CONDITIONS	MIN	TYP	MAX	UNIT
Operating Current	I _{CC}	I _{PC} = off		0.6	1.0	mA
Leakage Current	I _{PC(LEAK)}	V ⁺ =V _{PC} =14V			10	μA
Saturation Voltage	V _{PC(SAT)}	I _{PC} = 20 mA		500	700	mV
PC Terminal Current	I _{PC}		20	40	70	mA
Output Voltage High	V _{OH}	R _L = 30KΩ		V _{CC} -0.1		V

A CH : Current Control Loop

Reference Voltage	V _{REF(A)}	I _{PC} = 2.5mA	UM607B	144	150	156	mV
			UM607D	66.5	70	73.5	
Input Bias Current	I _{B(A)}			20	50		μA
Transconductance Gain (Note 1)	G _{M(A)}		1.5	8			mA/mV

B CH : Voltage Control Loop

Reference Voltage (Note 2)	V _{REF(B)}	I _{PC} = 1.5mA	1.227	1.240	1.253		V
Input Bias Current	I _{B(B)}			50	500		nA
Transconductance Gain (Note 3)	G _{M(B)}		1	3			mA/mV

Notes: 1. When the positive input at I_{CTRL} is lower than -151mV, and the voltage is decreased by 1mV, the sinking current at the output OUT will be increased by 8mA.
 2. The internal voltage reference is set at 1.240V (bandgap reference). The voltage control loop precision takes into account the cumulative effects of the internal voltage reference deviation as well as the input offset voltage of the trans-conductance operational amplifier.
 3. If the voltage on B +Input (the positive input of the amplifier) is higher than the negative amplifier input (V_{REF(B)} = 1.240V), and it is increased by 1mV, the sinking current at the output OUT will be increased by 3mA.

■ TYPICAL CHARACTERISTICS

